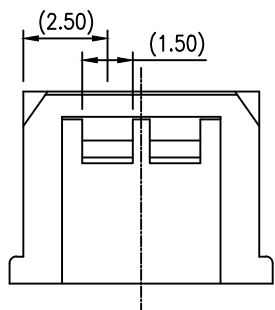


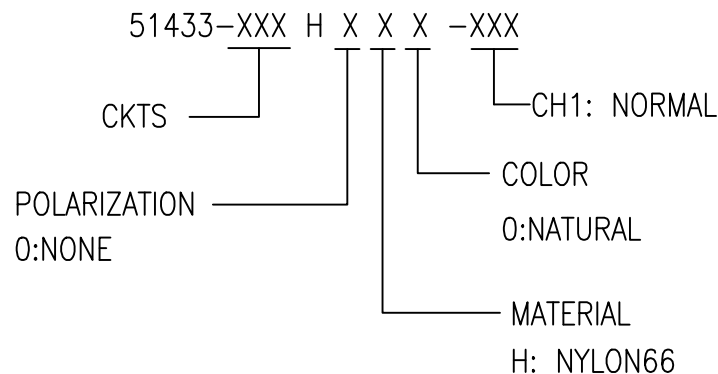
IN CASE OF 2PIN



IN CASE OF 3PIN OR MORE

NOTES:

1. MATERIAL : NYLON 66 ; UL94 V-0; COLOR : NATURAL
2. SPEC. PLS. REFER TO PS-51433-XXXX-XXX.
3. PACKING QUANTITY: 1000 PCS/BAG.
4. PART NUMBER



CKT	DIM A	DIM B	DIM C	DIM D	DIM E
2	2.00	5.00	5.80	4.20	0.00
3	4.00	7.00	7.80	6.20	2.00
4	6.00	9.00	9.80	8.20	4.00
5	8.00	11.00	11.80	10.20	6.00
6	10.00	13.00	13.80	12.20	8.00

QUALITY SYMBOLS	DRAWN BY	DATE			
MAJOR	Zhang,hongjun	19/04/20			
CRITICAL	CHECKED BY	DATE	<b>ACES</b> ELECTRONICS TITLE 2.0mm WTB Housing		
GENERAL TOLERANCES (UNLESS SPECIFIED)	Lu,Jing Quan	19/04/20			
X ±0.5	APPROVED BY	DATE	UNITS	SIZE	RFQ NO.
.X ±0.25	Hsieh,fu yu	19/04/20	mm	A4	N/A
.XX ±0.15			SCALE	SHEET NO.	REV
.XXX ±0.1			1:1	1 OF 1	A
ANGLES ±2°					DWG NO.
					51433-xxxHxxx-CH1-aces